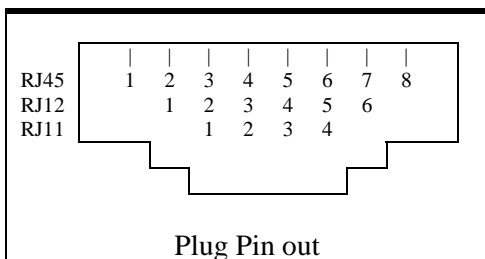
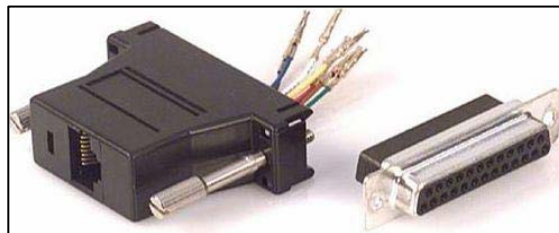
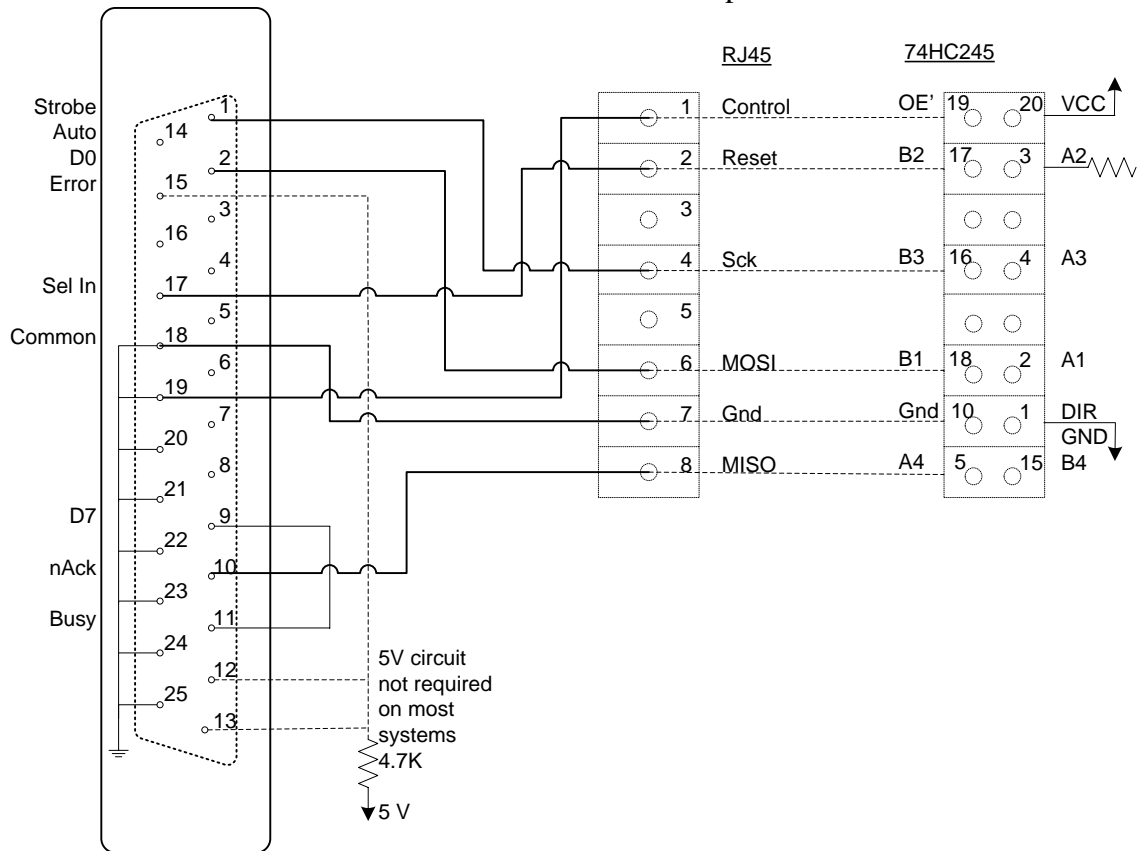


In System Programming (ISP)
Atmel AT89ISP for 8051 / 89S8253
DB25P to RJ45 Cable Adapter



Wire Color		
Pin	Adapter	T568B Cat5E Cable
1	Blue	White/orange
2	Orange	Orange
3	Black	White/green
4	Red	Blue
5	Green	White/Blue
6	Yellow	Green
7	Brown	White/brown
8	White	Brown

Note: The Pin numbers correspond to the standard connection numbers.
 The numbers on the board are inverted.
 To use the control, jumper from RJ45 #1 to 74hc245 #19. Must use CMOS to get 5 V out.
 To perform ISP, connect adapter to board.
 Remove the connector to release the 74hc245 and run the program on the 8051.