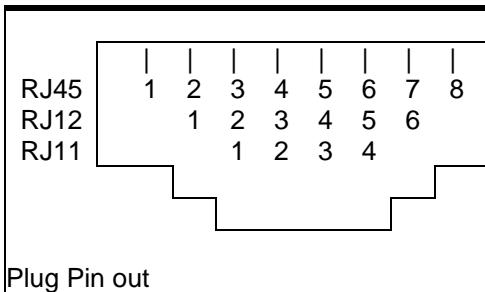
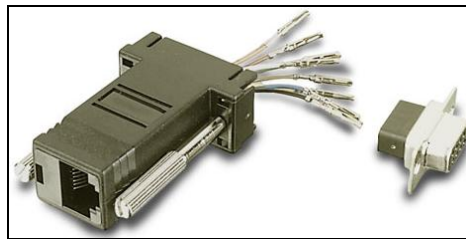
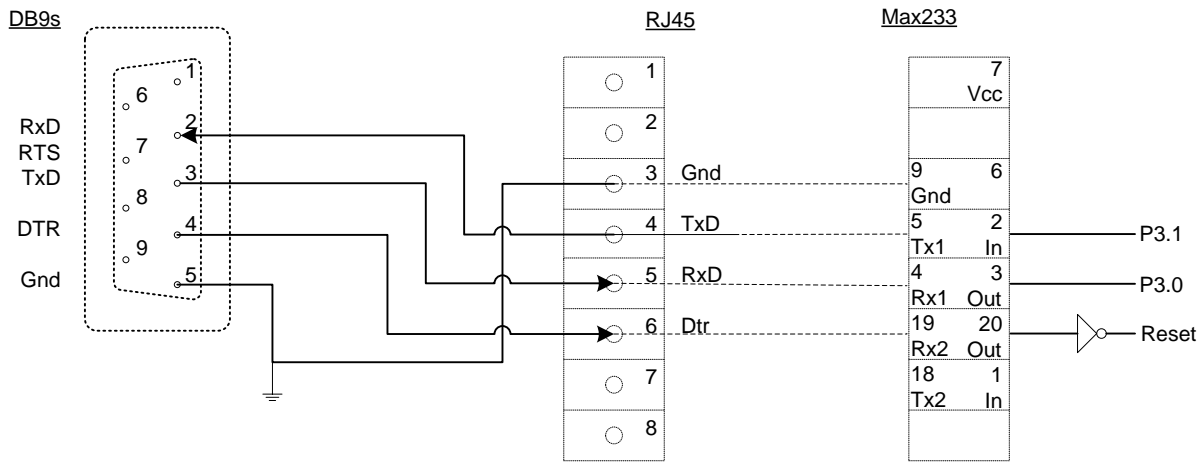


RS232 Serial Adapter & ISP for 89V51 DB9S to RJ45S Cable Adapter



Funcnt	Serial	To	Board	Adapter	Cable	Cable
RS232	DB9S	RJ11	RJ45		TIA568B	Telco
	Pin	Pin	Pin		Color	Alt
			1		W/Orange	Black
			2		Orange	Yellow
Gnd	5		3	Black	W/Green	White
RxD	2		4	Red	Blue	Red
TxD	3		5	Green	W/Blue	Green
Dtr	4		6	Yellow	Green	Blue
Rts	7		7	Brown	W/Brown	Brown
			8		Brown	Orange

Note: The Pin numbers correspond to the standard connection numbers.
 For hardware loopback on some computers, it may be necessary to jumper #1,6,7&8 on DB9S.
 When using Hyperterminal, set control to NO Hardware.

OTHER RS232 SERIAL ADAPTERS

Funcnt	DB25	25 to 9 straight		25 to 25 straight		25 to 25 null	
		DB25P	9-pin	DB25P	DB25S	DB25P	DB25S
CGround	1			1	1	1	1
TX	2	2	3	2	2	2	3
RX	3	3	2	3	3	3	2
RTS	4	4	7	4	4	4	5
CTS	5	5	8	5	5	5	4
DSR	6	6	6	6	6	6	20
GROUND	7	7	5	7	7	7	7
DCD	8	8	1	8	8		
DTR	20	20	4	20	20	20	6
RI	22	22	9	22	22		

Funcnt	25 to 3 jumper]		
	25-pin DB25P	3-pin DB25S	3-pin DB9S
TX	2	2	3
RX	3	3	2
	4]		
	5]		
	6]		
	8]		
Gnd	7	7	5